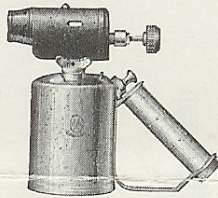


ORIGINAL BARTHEL

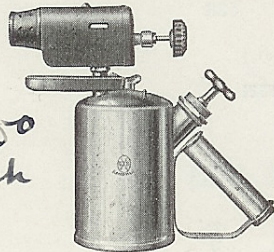
Repair Parts for Gasoline and Kerosene Torches

BM/BE No. 340 & No. 341 — 1 Quart

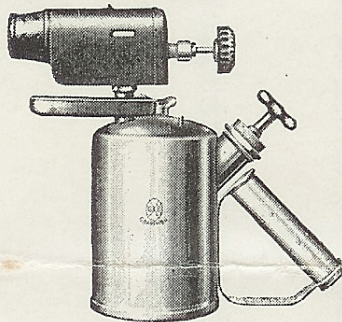
BM/BE No. 280 & No. 281 — 1 Pint



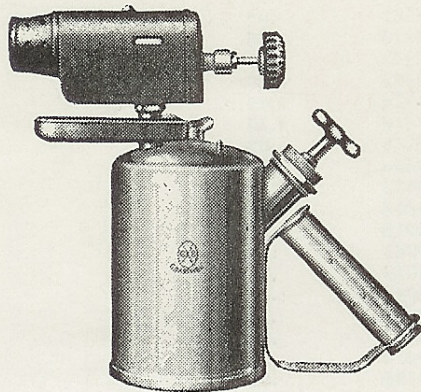
No. 280 - Pt.



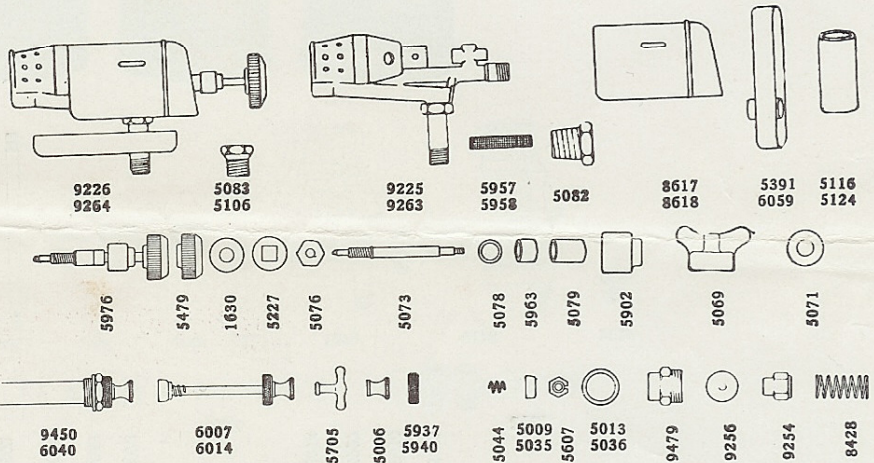
No. 340 - Qt.



No. 400 - 2 Qt.



No. 460 - 1 Gal.



Note: Top numbers for No. 280 and 281.

Bottom numbers for No. 340 and 341.

Parts	BM/BE		BM No. 340 & BE No. 341	
	No.	Price	No.	Price
Burner, Complete	9226	\$4.50	9264	\$4.50
Gasifier	9225	3.25	9263	3.25
Nozzle, Gasoline	5083	.30	5106	.30
Nozzle, Kerosene	5249	.30	5083	.30
Wire Gauge	5957	.25	5958	.35
Top Plug Screw	5085	.10	5085	.10
Rear Plug Screw	5082	.15	5082	.15
Windshield	8617	.40	8618	.50
Screw for same	5090	.05	5090	.05
Preheating Pan	5391	.35	6059	.40
Air Mixing Tube	5116	.20	5124	.25
Regulating Spindle, Complete	5976	1.00	5976	1.00
Spindle Shaft	5073	.35	5073	.35
Spindle Shaft Washer	5078	.05	5078	.05
Spindle Shaft Washer	5963	.15	5963	.15
Stuffing Box	5902	.25	5902	.25
Packing for Stuffing Box	5079	.10	5079	.10
Regulating Handle	5479	.25	5479	.25
Regulating Handle Nut	5076	.05	5076	.05
Regulating Handle Washer	1630	.05	1630	.05
Regulating Handle Washer	5227	.05	5227	.05
Socket Wrench for Nozzle	7378	.50	7378	.50
Cleaning Needle, Gasoline	035	.15	638	.15
Cleaning Needle, Kerosene	970	.15	035	.15
Filler Cap	5069	.35	5069	.35
Washer for same	5071	.05	5071	.05
Pump, Complete	9450	2.25	6040	3.00
Pump Cylinder with Check Valve	6006	1.75	6013	2.00
Asbestos Washer for same	5013	.05	5036	.05
Pump Plunger, Complete	6007	1.00	6014	1.25
Pump Handle	5006	.20	5705	.20
Pump Cap	5937	.20	5940	.25
Plunger Spring	5044	.10	5044	.10
Leather Plunger Washer	5009	.10	5035	.10
Nut for same	5607	.05	5607	.05
Check Valve Housing	9479	.25	9479	.25
Check Valve Washer	9256	.05	9256	.05
Check Valve Seat	9254	.10	9254	.10
Check Valve Spring	8428	.10	8428	.10
Tanks, Brass		2.25		

VAN PRAAG SALES

22 EAST 17th STREET Exclusive Selling Agents

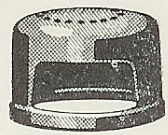
NEW YORK CITY

S. A. SANDERS
SUCCESSOR TO VAN PRAAG SALES
P. O. BOX 123 FULTON, N. Y.

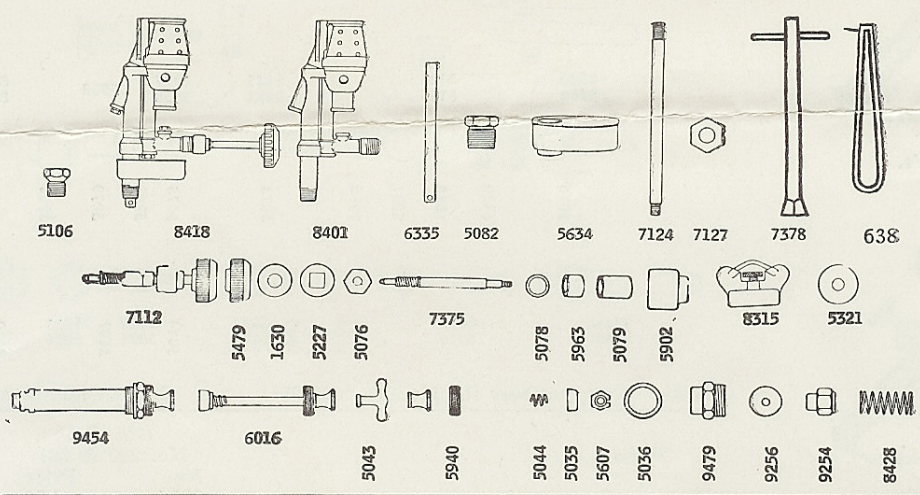
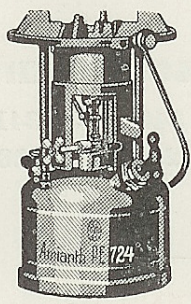
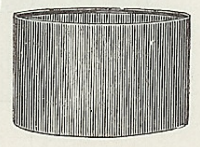
ORIGINAL  BARTHEL

Spare Parts for No. 724 and No. 733 Furnaces

"B" Tinner's Hood



"C" Melting Pot Hood



	No.	Price
Burner, complete	#2391 8418	\$8.00
Gasifier	8401	5.25
Nozzle, gasoline	5106	.30
Nozzle, kerosene	5083	.30
Nozzle key	7378	.50
Cleaning needle, gasoline	638	.15
Cleaning needle, kerosene (folding type)	035	.15
Wire gauze	6335	.40
Bottom plug screw	5082	.15
Rear plug screw	5085	.10
Pre-heating pan	5634	.40
Regulating spindle, complete	7112	1.00
Spindle shaft	7375	.40
Spindle shaft washer	5078	.05
Washer for stuffing box	5963	.15
Asbestos Packing	5079	.10
Stuffing box	5902	.25
Regulating handle	5479	.25
Regulating handle washer	1630	.05
Regulating handle washer	5227	.05
Regulating handle nut	5076	.05
Filler cap	8315	.90
Filler cap washer	5321	.05
Upright standard	7124	.35
Upright standard nut	7127	.05
Top casting and handle	2382	2.00
Sliding burner shield	7374	1.25
Stationary burner shield	7416	1.25
Screw for stationary burner shield	5166	.05
Pump, complete	9454	3.00
Pump cylinder with check valve	9415	2.25
Asbestos washer for same	5036	.05
Pump plunger, complete	6016	1.25
Pump handle	5043	.20
Pump cap	5940	.25
Plunger spring	5044	.10
Leather plunger washer	5035	.10
Nut for same	5607	.05
Check valve housing	9479	.25
Check valve washer	9256	.05
Check valve seat	9254	.10
Check valve spring	8428	.10
Tank		5.00
"C" Hood		1.00
"B" Hood		2.50